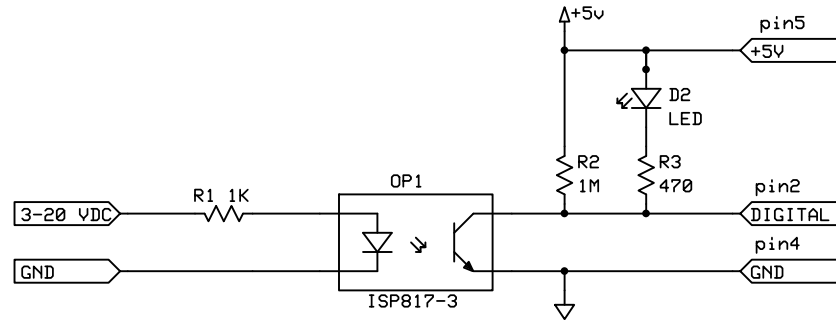
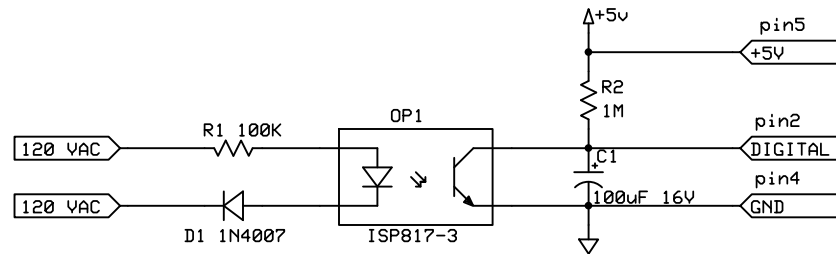


ioBridge sensor interfaces for monitoring power

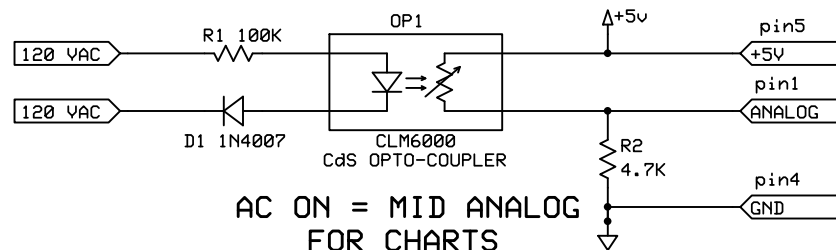


DC ON = LOGIC LOW

Other opto-isolators will work like the 4N26 4N27 etc.



AC ON = LOGIC LOW



**AC ON = MID ANALOG
FOR CHARTS**

(Adjust R2 for optimum level)

Opto coupler can be a red LED coupled to an cDs
light sensor with black electrical tape

ART TEC

ioBridge power monitoring interfaces

see www.ioBridge.com for more info

Guy Marsden

Rev 1.0

12/21/2010

www.arttec.net